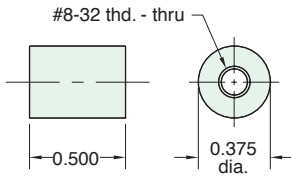


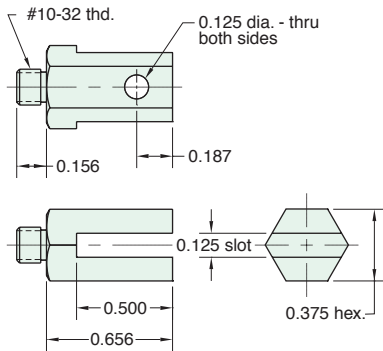
11767

Ceramic Insulator
Use with cylinder having #8-32 threaded shaft to insulate cylinder from heat or electricity



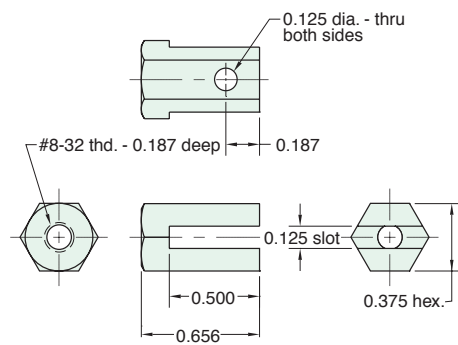
11996

Male Clevis
Mounts in rear of cylinder tapped #10-32



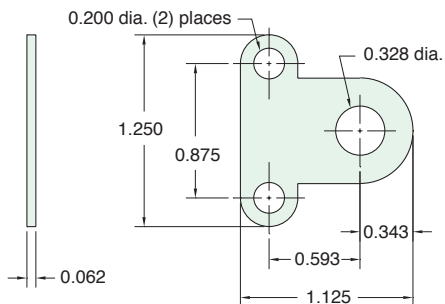
11997

Female Clevis
Use with cylinder having #8-32 threaded shaft



11917-2

Mounting Bracket (flat)



11918-2

Mounting Bracket (angled)

